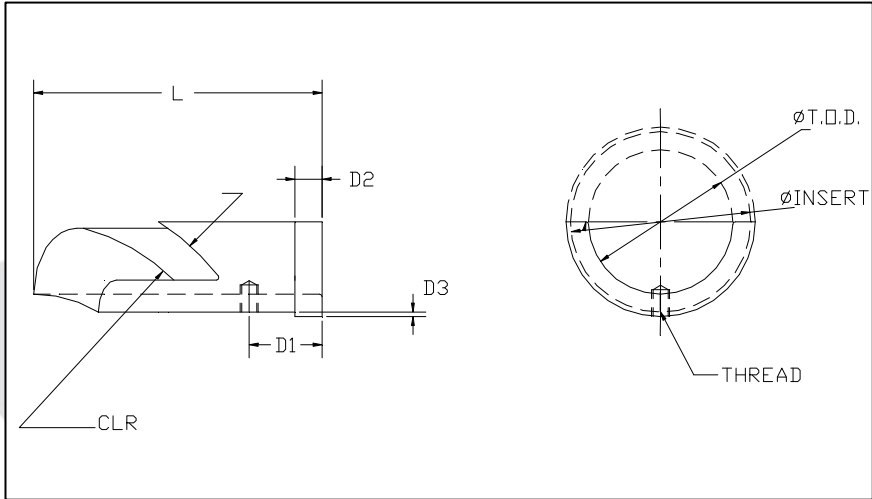




**ORDER**   
**ENQUIRY**   
**FOR WIPER DIE INSERT**



**WHEN ORDERING WIPER DIE INSERT, PLEASE SPECIFY:**

TUBE OUTSIDE DIAMETER (T.O.D.) :			
CENTER LINE RADIUS (CLR) :			
INSERT'S OUTSIDE DIAMETER :			
LENGTH (L) :			
THREAD :			
DIMENSIONS (MM) :	D1 =	D2 =	D3 =
SPECIAL INSTRUCTIONS :			

**Customer Address :**

Company.....  
 Address.....  
 Telephone.....  
 Fax.....  
 Email.....  
 Contact Person.....

<b>AMPCO BRONZE, AMPCOLOY HIGH COPPER, LEAD-, TIN BRONZE, MANGANESE BRONZE, ALUMINIUM BRONZE, AMPCO SAFETYTOOLS</b>	
<input type="checkbox"/>	Contact us under Nr.:.....Contact Person:.....
<input type="checkbox"/>	Send us your catalog

**ASK US, SIMPLE, FAST, BETTER AND MORE COMPETITIVE**

**Tel:** +41 26 439 93 10    **Fax:** +41 26 439 93 01    **E-Mail:** info@ampcometal.com